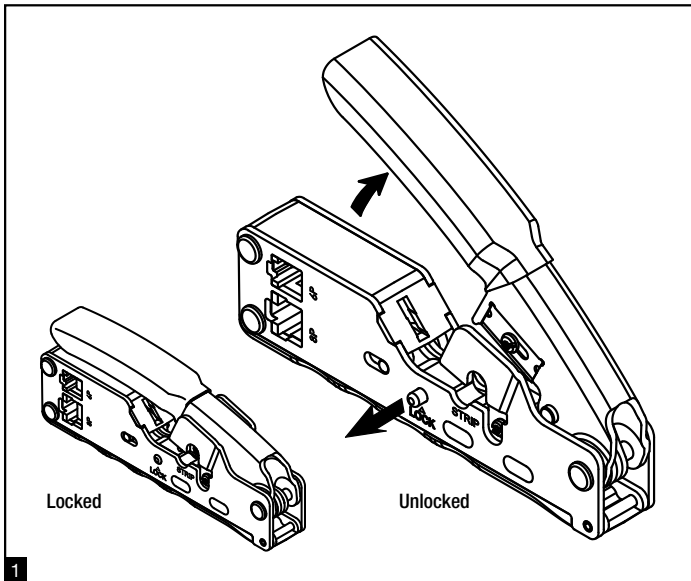


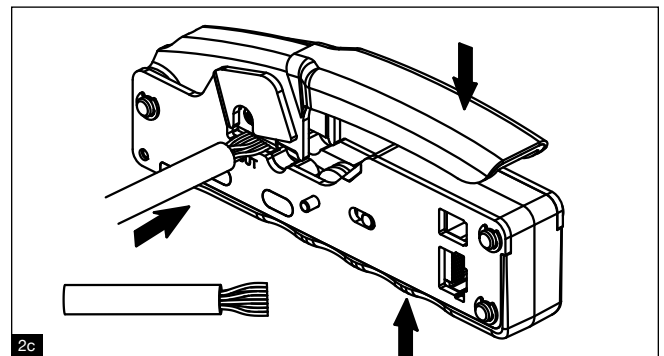
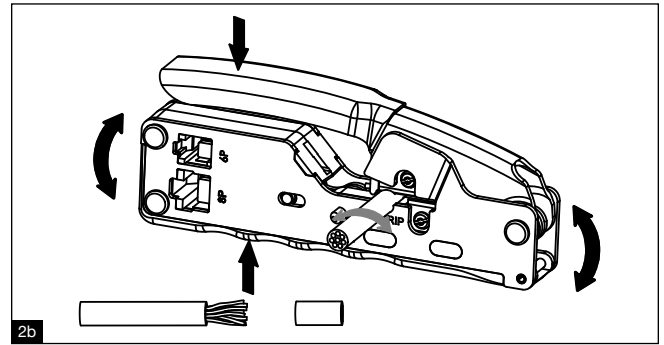
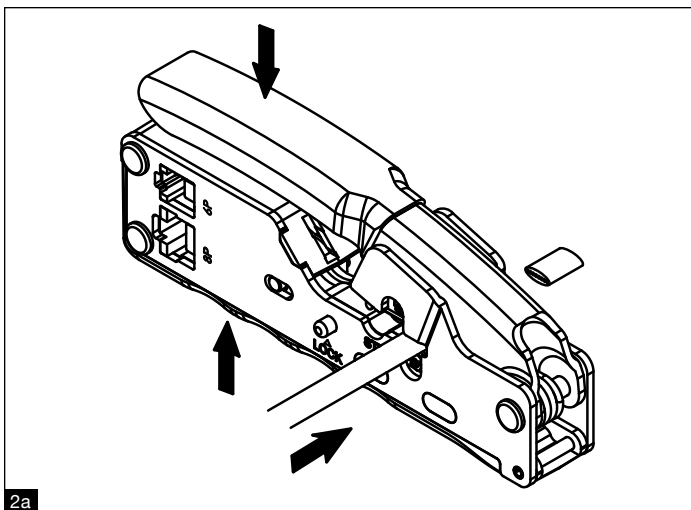
- 1) To unlock the Tele-Titan, squeeze handle and hold while pushing lock pin to other side. (Fig 1). Release handle. Ready to terminate!



2) Prep the cable:

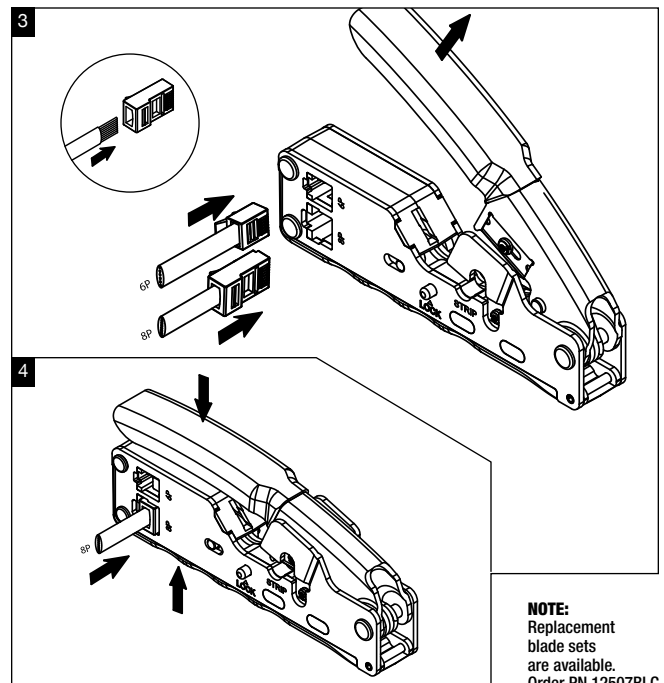
A. To strip flat satin, insert thru the 2 strip blades and out past the cut side. Squeeze handle down, slightly release & hold. Pull cable out & away from tool (Fig 2a). When stripping 4 or 6 conductor flat satin, re-cut conductor's to 1/4". Use cutter on cut side. (Fig 2c).

B. To strip twisted pair, insert into round stripping cavity. (Fig 2b). Squeeze handle until blade slightly cuts jacket, hold, rotate tool clockwise & cable counterclockwise. **NOTE:** scoring the jacket prevents nicking the conductors! Untwist pairs, remove kinks, configure to spec A or B. Use cutter to trim, 1/2" for Cat5e & 3/16" for CAT6.



3) Terminate the connector:

- A. Insert the prepped cable into the proper crimp cavity/port, 8P for the RJ45's and 6P for the RJ12's and RJ11's. See (Fig 3).
B. Make sure connector is fully seated into the crimp cavity/port and hold in position until crimped.
C. Squeeze handle all the way down until it bottoms out. See (Fig 4). Termination is complete!



NOTE:
Replacement
blade sets
are available.
Order PN 12507BLC